

DISTRIBUTOR/AGENT:	DATE OF ORDER:
	DATE OF DELIVERY:
	NAME OF THE ADDRESSEE/USER:

MODULAR POSTURAL SYSTEM that can be positioned on OUTDOOR and INDOOR BASES



USER HEIGHT: 75-105 cm
(29,5-41,3 In)
MAX LOAD: 25 kg (55,1 lb)

FEATURES

Postural SEAT easily reversible with SERVO-ASSISTED TILTING AND RECLINING SYSTEM

- **Tilting seating unit** operated by gas spring, **removable** thanks to a practical, safe, and foolproof attachment/detachment system, quickly reversible to face the parent (outdoor base), **equipped with a visual safety system**. The backrest is adjustable in height, the seat in depth and the width can be adjusted via multi-adjustable lateral supports. All the adjustments are precise and continuous.
- The upholstery of the seat is extremely breathable, comfortable, durable, easy to wash, and quick to dry, consisting of:
 - » **Non-removable supporting upholstery:** the texture with an essential design allows an **excellent breathability**, reducing sweating and bacterial growth. The fabric composition allows an **easy sanitization**. **It maintains performance even at high loads and is fire retardant** according to class 1 fire reaction (non-flammable combustible materials) according to Ministerial Decree June 26, 1984, and subsequent amendments.
 - » **The removable cover** is made of breathable and **highly innovative** material both internally and externally. The internal fabric is three-dimensional, lightweight, and provides high air circulation. It allows an **optimal weight distribution** and **great comfort**. The external fabric is also highly resistant to abrasion. Fireproof according to EN 1021-1:2014 and EN 1021-2:2014 standards. Washable at 40°C. Easily removable for washing with **quick drying times**.
- **Reclining backrest** with gas spring and height-adjustable precisely and continuously. The backrest has a **restraining shape** and, thanks to the resistant bearing upholstery and **aluminum bars**, provides a comfortable and breathable support.
- **Integrated headrest** in the backrest to ensure the child always has support when the seating unit is tilted and/or the backrest is reclined.
- **Includes the mod. 947 pelvic belt with variable angle.**
- **Wide and padded armrests**, adjustable in height, width, and inclination (they follow the adjustments of the pelvis lateral supports).
- Adjustable **pelvic supports** for containment in width, rotation, and depth independently.
- Height and angle-adjustable **leg rest** with physiological pivot, making the adjustment comfortable. Adjustable in depth along with the seat.
- **Adjustable single footrest with heel stops** or **adjustable separate footrests** (component mod. 957).
- **Lateral shoulder supports** mod. 967 provided as standard in the outdoor version.



Attention!
Read carefully the user and maintenance manual

OUTDOOR BASE (CRASH TESTED according to ISO 7176/19 and ANSI RESNA WC/19 standards) parent-facing reversible.

- Compact and lightweight **frame** with a new innovative design, easily maneuverable and foldable, with a tilt-adjustable handlebar. **It reduces depth space.**
- Solid, lightweight, and smooth-running **wheels** on all surfaces: 17 cm (6,7 In) front wheels with direction locks, 25 cm (9,8 In) rear wheels, with shock absorbers and independent drum and parking brakes.

INDOOR BASE and LOWER INDOOR BASE adjustable in height.

- **Compact frame with height adjustment** - to allow approaching support and work surfaces - with gas spring adjustment while the child is seated. **The height adjustment system is internationally patented.**
- **Active tilt-in-space:** useful for positioning the child in an active position, to perform activities that stimulate straightening and activation of the posterior musculature.
- **Solid twin wheels** 7,5 cm (2,9 in), swiveling, **with rubber coating.** All equipped with parking brakes.

CHOOSE THE COLOR OF THE POSTURAL SEATING UNIT

Coral pink



Sky blue



Brown



CHOOSE THE BASE (both can also be selected)

Outdoor base



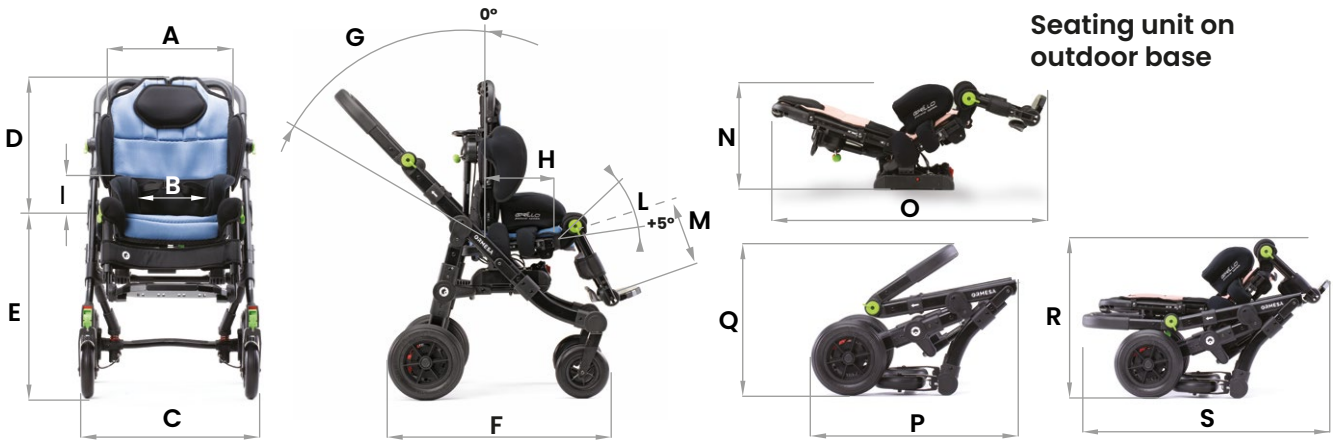
Indoor base



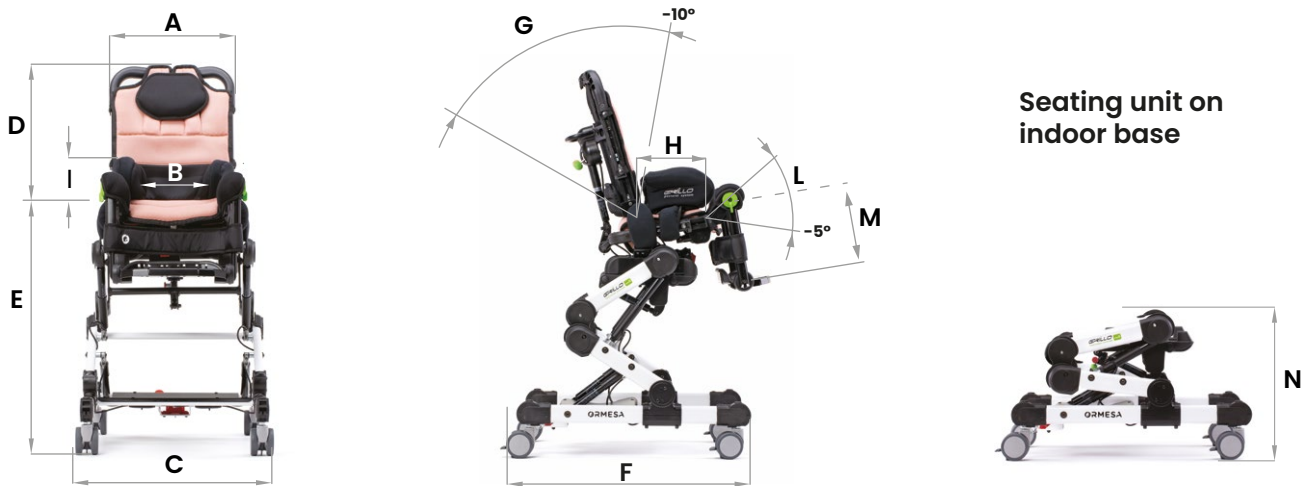
Lower indoor base



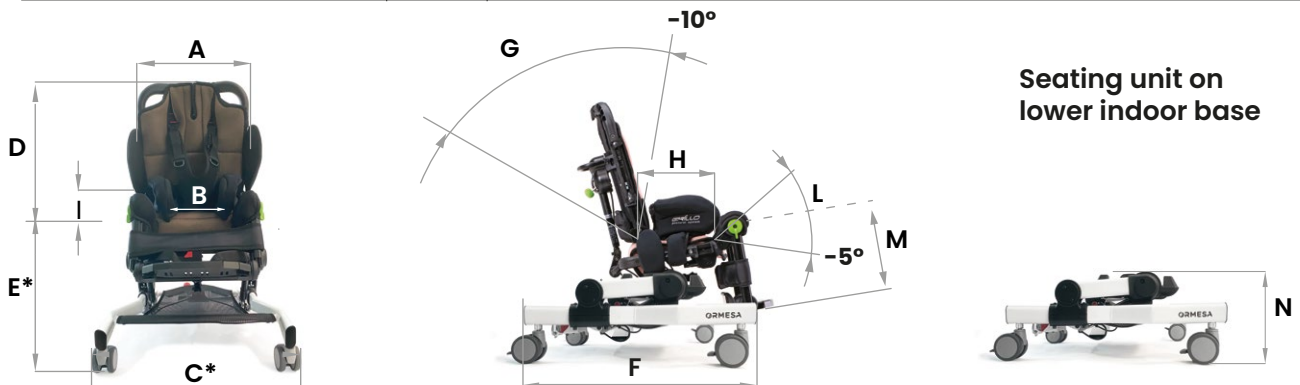
MEASURES in cm and (inches)



A	B	C	D	E	F	G	H	I	L	M	N	O	P	Q	R	S	Frame weight	Seating unit weight	Total weight
34	16-26	57	42-52	51	72	45°	16-26	11,5-14	30°	15-25	31	65	69	49	57	80	10,8 kg	9,7 kg	20,5 kg
(13,4)	(6,2-10,2)	(22,4)	(16,5-20,4)	(20)	(28,3)		(6,2-10,2)	(4,5-5,5)		(5,9-9,8)	(12,2)	(25,5)	(27,1)	(19,2)	(22,4)	(31,4)	(23,8 lb)	(21,3 lb)	(55 lb)



A	B	C	D	E	F	G	H	I	L	M	N	Frame weight	Seating unit weight	Total weight
34	16-26	53	42-52	45-65	65	45°	16-26	11,5-14	40°	15-25	40	14,3 kg	9,7 kg	24 kg
(13,4)	(6,2-10,2)	(20,8)	(16,5-20,4)	(17,7-25,5)	(25,5)		(6,2-10,2)	(4,5-5,5)		(5,9-9,8)	(15,7)	(31,5 lb)	(21,3 lb)	(52,9 lb)



A	B	C*	D	E*	F	G	H	I	L	M	N	Frame weight	Seating unit weight	Total weight
34	16-26	60	42-52	36-48	63	45°	16-26	11,5-14	40°	15-25	26	9,8 kg	9,7 kg	19,5 kg
(13,4)	(6,2-10,2)	(23,6)	(16,5-20,4)	(14-18,8)	(24,8)		(6,2-10,2)	(4,5-5,5)		(5,9-9,8)	(10,2)	(21,6 lb)	(21,3 lb)	(43 lb)

ADDITIONAL COMPONENTS for ALL BASES

863 Postural headrest
adjustable in height, width, tilt and depth, with adjustable side supports.
Size mini/S.



942 Ergonomic and mouldable headrest adjustable in height, tilt and forward-backward with adjustable sides.
Size mini/S.



835 Padded shaped headrest adjustable in height.



852 Headrest with parietal supports adjustable in width.
Size mini/S.



838 Trunk side supports adjustable in height, width and transversally.



967 Shoulders lateral supports. Standard on outdoor base.
 Optional component for the indoor base



868 Wrappable and flexible trunk supports adjustable in height, width and transversally.



853 Vest harness



853H Harness.



947 pelvic belt with variable angle as standard.
Size mini.



834N Padded narrow abduction block.
Size mini/S.



834R Adjustable abduction block.
Size mini/s.



969 Postural pads kit.



824 Transparent tray adjustable in height, depth and tilt.



827 Foot straps for single footrest.



957 Legrest with separate footrests.
Adjustable in height, inclination and abduction independently.



960 Heelrests only with legrest 957.



962 Footrests + Heelrests, only with legrest 957.



892 Padded footplate covering, for single footrest. Removable for washing.



972 Padded footrest height reducer for single footrest.



ADDITIONAL COMPONENTS for OUTDOOR BASE

819 Versatile canopy.



825 Rain cover. Only with canopy 819.



839 Padded front handle Adjustable in height and tilt.



818 Padded thermal cover.



858 shopping and vent tray basket.



935 Oxygen bottle holder.



891 Set of 4 tie down hooks for the forward-facing transport of the pushchair in a motor vehicle (cars, buses...)



COMPLIANT WITH
ISO 7176/19 and
ANSI RESNA WC/19
STANDARDS





ADDITIONAL COMPONENTS for INDOOR BASES



<p>863</p> <p>mini/S A = 12 - 21 cm 4,7 - 8,2 in</p>	<p>942</p> <p>mini/S A = 14 cm 5,5 in</p>	<p>852</p> <p>mini/S A = 12 - 21 cm 4,7 - 8,2 in</p>	
<p>835</p> <p>mini A = 16 cm/6,3 in</p>	<p>838</p> <p>mini A = 9 cm/3,5 in B = 7 cm/2,7 in C = 16-24 cm 6,3 - 9,4 in</p>	<p>947</p> <p>mini A = 16 cm/6,3 in B = 5 cm/1,9 in</p>	<p>868</p> <p>mini A = 23 cm/9 in B = 9 cm/3,5 in</p>
<p>853H</p> <p>A = 17-30 cm 6,7-11,8 in B = 31 cm 12,2 in C = 11,5-24 cm 4,5-9,4 in</p>	<p>853</p> <p>mini A = 20,5 cm/8 in B = 28 cm/11 in</p>	<p>969</p> <p>A = 19 cm/7,4 in B = 7 cm/2,7 in C = 2 cm/0,78 in D = 7 cm/2,7 in E = 30 cm/11,8 in F = 2 cm/0,78 in</p>	<p>834R</p> <p>mini/Small A = 12 cm/4,7 in B = 8-10 cm/3,1-3,9 in C = 9 cm/3,5 in</p>
<p>834N</p> <p>mini/Small A = 12 cm/4,7 in B = 4 cm/1,5 in C = 14 cm/5,5 in</p>	<p>824B</p> <p>A = 16 cm/6,2 in B = 38 cm/14,9 in C = 53 cm/20,8 in D = 64 cm/25,1 in</p>	<p>824</p> <p>A = 9 cm/3,5 in B = 21 cm/8,2 in C = 31 cm/12,2 in D = 39 cm/15,3 in</p>	
<p>858</p> <p>A = 16 cm/6,2 in B = 40 cm/15,7 in C = 27 cm/10,6 in</p> <p>MAX 5 kg/11 lb</p>	<p>957</p> <p>A = 15° of abduction on indoor base A = 5° of abduction on outdoor base</p>	<p>972</p> <p>A = 11 - 21 cm 4,33-8,26 in B = 4 cm 1,57 in</p>	