

DISTRIBUTOR/AGENT:	DATE OF ORDER:
	DATE OF DELIVERY:
	NAME OF THE ADDRESSEE/USER:



**F E A T U R E S**

- Compact and adjustable in height - to allow access to different table tops and work surfaces - thanks to the gas spring for the adjustment with the child seated. ONLY FOR INDOOR USE.
- **Frame** painted with non-toxic epoxy powders.
- **Safety system to avoid unintentional activation.**
- **Upholstery** extremely **breathable, resistant and easily washable**, even if not removable. **Fire retardant** according to EN 1021-1:2014 and EN 1021-2:2014.
- **Backrest** easily adjustable in height by sliding. Tilt with green levers.
- Soft **armrests** adjustable in height and tilt.
- **Seat** slightly tilted of 5° for better comfort. Adjustable in depth and width thanks to **958R multiadjustable padded pelvic side supports**.
- It can be **matched** to the corresponding measure of the **ORMESA Multifunction Table** (see its Order Form).

Marked

Attention!  
Read carefully the user and maintenance manual

**Please check off the interested products**

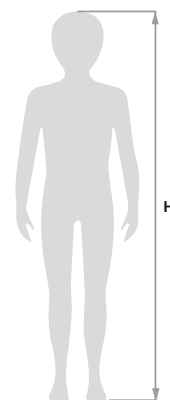
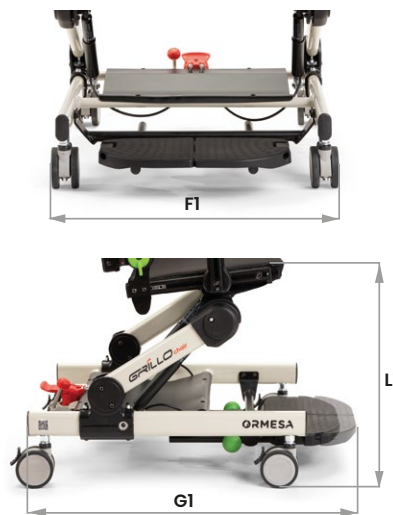
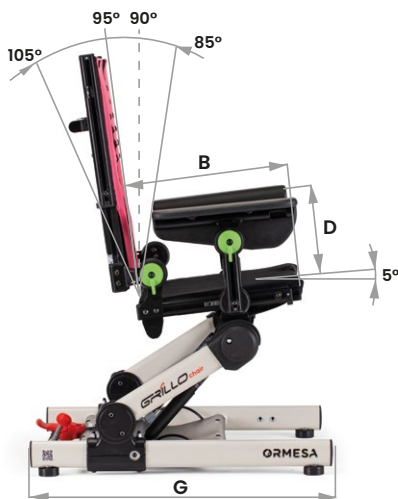


**M E A S U R E S**

Size:  Small  Medium

Upholstery colour:  Pink  Blue

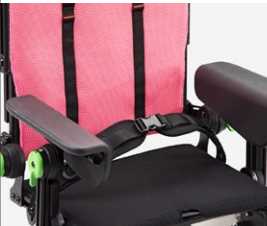

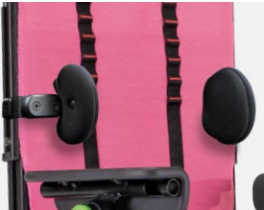










Frame: Pebble grey



with 959 component, set of 4 wheels with footrest

	A*	B	C	D	E	F	F1	G	G1	L	L1	User height (H)	Tot. weight	Max. Load
Small	30 cm	20-30 cm	30-45 cm	15-18 cm	36 cm	48 cm	50,5 cm	50 cm	52-64 cm	20-31 cm	28-39 cm	90-120 cm	10,7 kg	35 kg
	11,8 in	7,8-11,8 in	11,8-17,7 in	5,9-7 in	14,1 in	18,8 in	19,8 in	19,6 in	20,4-25,1 in	7,8-12,2 in	11-15,3 in	35,4-47,2 in	23,5 lb	77,1 lb
Medium	35 cm	28-43 cm	35-55 cm	16-20 cm	41 cm	52 cm	54,5 cm	56,5 cm	62-73 cm	25-40 cm	33-48 cm	110-150 cm	13 kg	45 kg
	13,7 in	11-16,9 in	13,7-21,6 in	6,2-7,8 in	16,1 in	20,4 in	21,4 in	22,2 in	24,4-28,7 in	9,8-15,7 in	12,9-18,8 in	43,3-59 in	28,6 lb	99,2 lb

\* with component 958R multi-adjustable pelvic side supports: size SMALL 20-30 cm (7,8-11,8 in); size MEDIUM 25-35 cm (9,8-13,7 in)

ADDITIONAL COMPONENTS	<p><b>947 Pelvic belt with variable angle</b></p> <p><input type="checkbox"/> mini    <input type="checkbox"/> M</p> <p><input type="checkbox"/> S</p> 	<p><b>920 Four point pelvic belt</b></p> <p><input type="checkbox"/> S</p> <p><input type="checkbox"/> M</p> 	<p><b>838 Trunk side supports</b> Adjustable in height, width and rotation.</p> <p><input type="checkbox"/> mini</p> <p><input type="checkbox"/> S</p> <p><input type="checkbox"/> M</p> 	<p><b>853 Vest harness</b></p> <p><input type="checkbox"/> mini    <input type="checkbox"/> S</p> 	<p><b>853 slim Four point shaped harness</b></p> <p><input type="checkbox"/> M</p> 
	<p><b>834N Narrow abduction block</b></p> <p><input type="checkbox"/> mini/S</p> <p><input type="checkbox"/> M</p> 	<p><input type="checkbox"/> <b>958R Padded pelvic side supports</b> Adjustable in width, rotation and depth.</p> 	<p><input type="checkbox"/> <b>824 Tray with wrap-around recess</b> Adjustable in depth, height and tilt with armrests.</p> 	<p><input type="checkbox"/> <b>823 Backrest extension</b> for the head support</p> 	<p><input type="checkbox"/> <b>835 Shaped headrest</b> with lateral and occipital support, adjustable in height. Only with 823 backrest extension.</p> 
	<p><input type="checkbox"/> <b>865 Padded headrest</b> adjustable in height. Only with 823 backrest extension.</p> 	<p><input type="checkbox"/> <b>959 Set of 4 wheels with brakes</b> as an alternative to the 4 black glides. 75 mm swivel wheels all equipped with brakes. Supplied with footrest.</p> 	<p> <b>Meet user's height and weight</b></p>		

Notes: \_\_\_\_\_

\_\_\_\_\_

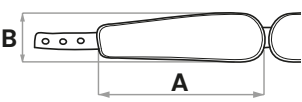
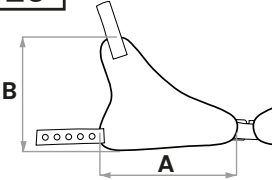
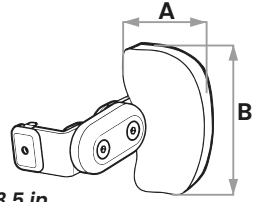
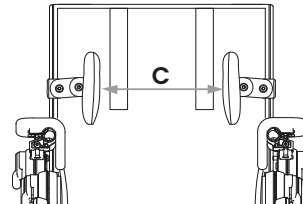
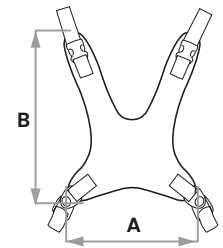
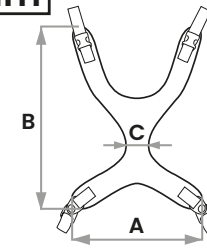
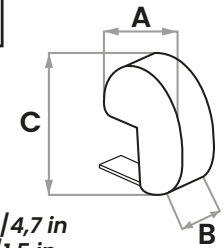
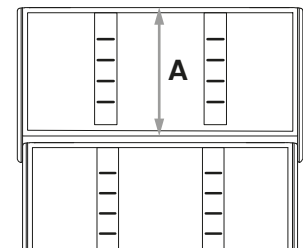
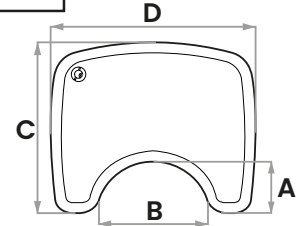
\_\_\_\_\_

\_\_\_\_\_

\_\_\_\_\_

\_\_\_\_\_

\_\_\_\_\_

COMPONENTS MEASURES	<p><b>947</b></p>  <table border="1"> <tr> <td><b>mini</b> A=16 cm B=5 cm A=6,2 in B=1,9 in</td> <td><b>small</b> A=19 cm B=6 cm A=7,4 in B=2,3 in</td> <td><b>medium</b> A=25,5 cm B=8 cm A=10 in B=3,1 in</td> </tr> </table>	<b>mini</b> A=16 cm B=5 cm A=6,2 in B=1,9 in	<b>small</b> A=19 cm B=6 cm A=7,4 in B=2,3 in	<b>medium</b> A=25,5 cm B=8 cm A=10 in B=3,1 in	<p><b>920</b></p>  <table border="1"> <tr> <td><b>small</b> A=16 cm/6,2 in B=15,5 cm/6,1 in</td> <td><b>medium</b> A=23 cm/9 in B=19 cm/7,4 in</td> </tr> </table>	<b>small</b> A=16 cm/6,2 in B=15,5 cm/6,1 in	<b>medium</b> A=23 cm/9 in B=19 cm/7,4 in	<p><b>838</b></p>  <p><b>CHAIR size small</b> C= 17-25 cm/6,7-9,8 in</p> <p><b>CHAIR size medium</b> C= 21-29 cm/8,2-11,4 in</p>  <table border="1"> <tr> <td><b>mini</b> A=9 cm/3,5 in B=7 cm/2,7 in</td> <td><b>small</b> A=10 cm/3,9 in B=12 cm/4,7 in</td> <td><b>medium</b> A=11 cm/4,3 in B=17 cm/6,6 in</td> </tr> </table>	<b>mini</b> A=9 cm/3,5 in B=7 cm/2,7 in	<b>small</b> A=10 cm/3,9 in B=12 cm/4,7 in	<b>medium</b> A=11 cm/4,3 in B=17 cm/6,6 in
	<b>mini</b> A=16 cm B=5 cm A=6,2 in B=1,9 in	<b>small</b> A=19 cm B=6 cm A=7,4 in B=2,3 in	<b>medium</b> A=25,5 cm B=8 cm A=10 in B=3,1 in								
	<b>small</b> A=16 cm/6,2 in B=15,5 cm/6,1 in	<b>medium</b> A=23 cm/9 in B=19 cm/7,4 in									
<b>mini</b> A=9 cm/3,5 in B=7 cm/2,7 in	<b>small</b> A=10 cm/3,9 in B=12 cm/4,7 in	<b>medium</b> A=11 cm/4,3 in B=17 cm/6,6 in									
<p><b>853</b></p>  <table border="1"> <tr> <td><b>mini</b> A=20,5 cm/8 in B=28 cm/11 in</td> <td><b>small</b> A=25 cm/9,8 in B=34 cm/13,3 in</td> </tr> </table>	<b>mini</b> A=20,5 cm/8 in B=28 cm/11 in	<b>small</b> A=25 cm/9,8 in B=34 cm/13,3 in	<p><b>853 slim</b></p>  <table border="1"> <tr> <td><b>medium</b> A=33 cm/12,9 in B=46 cm/18,1 in C=5 cm/1,9 in</td> </tr> </table>	<b>medium</b> A=33 cm/12,9 in B=46 cm/18,1 in C=5 cm/1,9 in	<p><b>834N</b></p>  <table border="1"> <tr> <td><b>mini/S</b> A=12 cm/4,7 in B=4 cm/1,5 in C=14 cm/5,5 in</td> <td><b>medium</b> A=15 cm/5,9 in B=4 cm/1,5 in C=17 cm/6,6 in</td> </tr> </table>	<b>mini/S</b> A=12 cm/4,7 in B=4 cm/1,5 in C=14 cm/5,5 in	<b>medium</b> A=15 cm/5,9 in B=4 cm/1,5 in C=17 cm/6,6 in	<p><b>823</b></p> <table border="1"> <tr> <td><b>small</b> A= 14 cm/5,5 in</td> <td><b>medium</b> A= 20 cm/7,8 in</td> </tr> </table> 	<b>small</b> A= 14 cm/5,5 in	<b>medium</b> A= 20 cm/7,8 in	
<b>mini</b> A=20,5 cm/8 in B=28 cm/11 in	<b>small</b> A=25 cm/9,8 in B=34 cm/13,3 in										
<b>medium</b> A=33 cm/12,9 in B=46 cm/18,1 in C=5 cm/1,9 in											
<b>mini/S</b> A=12 cm/4,7 in B=4 cm/1,5 in C=14 cm/5,5 in	<b>medium</b> A=15 cm/5,9 in B=4 cm/1,5 in C=17 cm/6,6 in										
<b>small</b> A= 14 cm/5,5 in	<b>medium</b> A= 20 cm/7,8 in										
<p><b>824</b></p>  <table border="1"> <tr> <td>A= 16 cm/6,2 in</td> <td>B= 38 cm/14,9 in</td> <td>C= 53 cm/20,8 in</td> <td>D= 64 cm/25,1 in</td> </tr> </table>	A= 16 cm/6,2 in	B= 38 cm/14,9 in	C= 53 cm/20,8 in	D= 64 cm/25,1 in							
A= 16 cm/6,2 in	B= 38 cm/14,9 in	C= 53 cm/20,8 in	D= 64 cm/25,1 in								