

BUG

evolution of simplicity

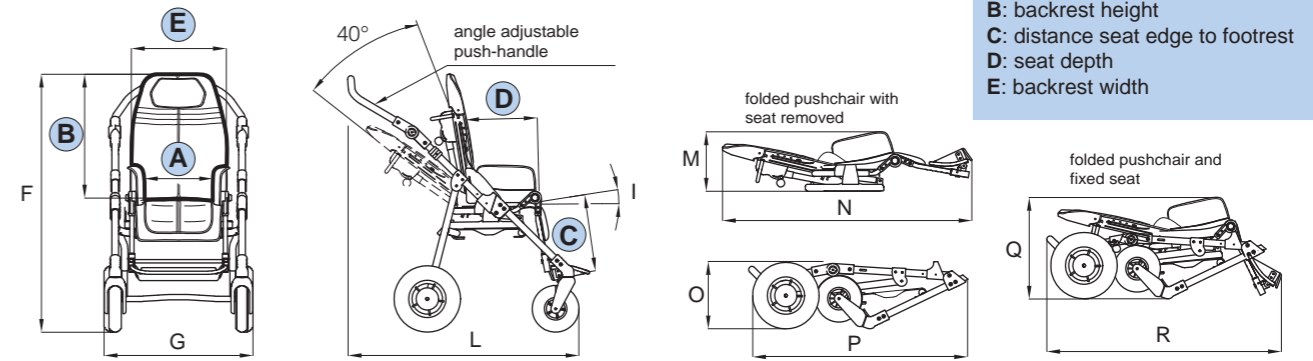


INGLESE cod. 22834 - 30-08-2011

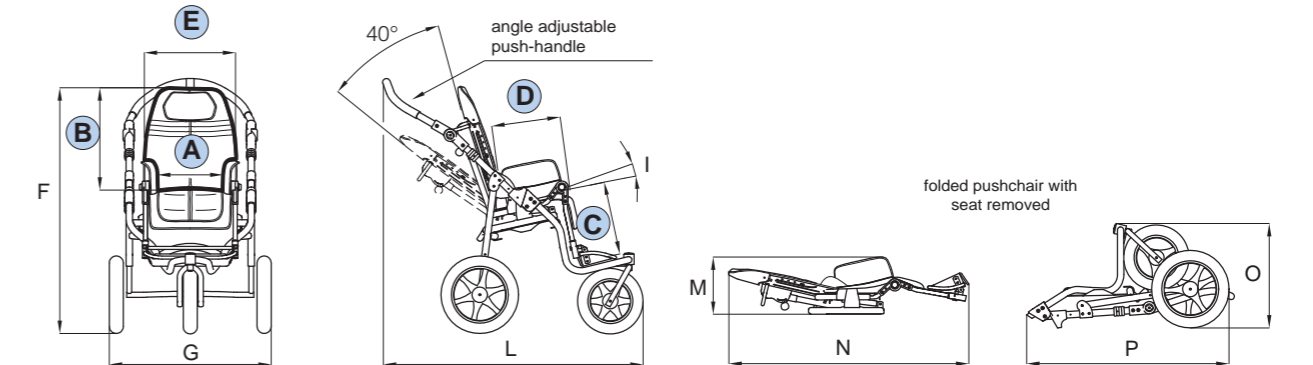
The copyright even if partial is not allowed without the authorization of the manufacturer. The manufacturer reserves the right to make changes without any notice



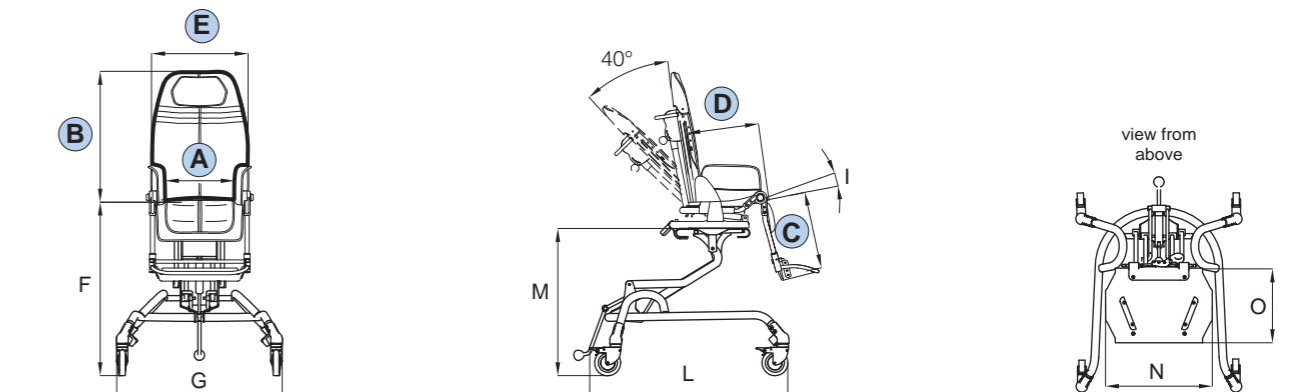
Dimensions:



Bug + 869 base	max. load cap. (kg)	A (cm)	B (cm)	C (cm)	D (cm)	E (cm)	F (cm)	G (cm)	I (degree)	L (cm)	M (cm)	N (cm)	O (cm)	P (cm)	Q (cm)	R (cm)	weight of frame (kg)	weight of seat (kg)	total weight (kg)
onetwo	35	20-30	52-62	18-30	20-30	37	102	57	0-35°	66-92	29	88	29	82	44	81	9,5	8,5	18
threefour	45	25-36	60-75	30-40	30-40	44	112	62	7-30°	82-106	34	112	36	91	52	94	10,5	11,5	22



Bug + 901 base	max. load cap. (kg)	A (cm)	B (cm)	C (cm)	D (cm)	E (cm)	F (cm)	G (cm)	I (degree)	L (cm)	M (cm)	N (cm)	O (cm)	P (cm)	weight of frame (kg)	weight of seat (kg)	total weight (kg)
onetwo	35	20-30	52-62	18-30	20-30	37	112	63	14°-49°	79-104	35	88	38	79	10,5	8,5	19
threefour	45	25-36	60-75	30-40	30-40	44	122	69	15°-38°	98-127	50	112	40	96	11,5	11,5	23



Bug + 856 base	max. load cap. (kg)	A (cm)	B (cm)	C (cm)	D (cm)	E (cm)	F (cm)	G (cm)	I (degree)	L (cm)	M (cm)	N (cm)	O (cm)	weight of frame (kg)	weight of seat (kg)	total weight (kg)
onetwo	35	20-30	52-62	18-30	20-30	37	41-81	63	0°-35°	75	29-69	36	27	13,5	8,5	22
threefour	45	25-36	60-75	30-40	30-40	44	42-82	65	0°-23°	79	30-70	44	34	14,5	11,5	26

HYPEN-SEPARATED NUMBERS INDICATE THE MINIMUM AND MAXIMUM RANGE OF ADJUSTMENT

Product Certified by the following institute:
CERAH France

Product tested by:
TÜV Berlin



BUG with base 869 passed CRASH TEST according to the ISO 7176-19 and ANSI RESNA WC/19

design and quality
MADE IN ITALY since 1980



ORMESA S.r.l. - Via A. Da Sangallo, 1 - PACIANA
06034 FOLIGNO (PG) ITALY - TEL. +39 0742 22927 (r.a.) FAX +39 0742 22637
info@ormesa.com - www.ormesa.com

COMPANY WITH QUALITY MANAGEMENT
SYSTEM CERTIFIED BY DNV
= ISO 9001:2008 =

BUG

the tilt-in-space seat that can be placed on three bases, on every flat surface and that grows with a child



the only one pushchair with a tilt-in-space system incorporated in the seat after removing or transferring the seat, you don't need to reposition the posture adjustment can be easily operated by one only hand, it is continuous without jerks

4 sizes in 2
wide range of adjustments

lightweight and manageable
compact, its wheels do not protrude from the 4-wheel-base

safe and simple to custom personalize
designed both for the mother and for the child

cushion upholstered, breathable, ergonomic, fire retardant
removable and attachable to the seat with studs, resistant to wear and washing



technical features



pict. 2



pict. 3

rigid backrest, reclinable of 40° (fig. 2) and adjustable in height for 10 cm (size onetwo) and of 15 cm (size threefour). The hinge coincides with the child's pelvis physiological fulcrum

tilt-in-space seat, adjustable in width and depth of 10 cm. Reversible (size onetwo, base 869)

headrest incorporated in the backrest your child's head is always supported during the tilt adjustments of the seat and of the backrest, also without accessories

tip-up footrest, flexion-extension adjustable, with legrest adjustable in height and tilt the hinge coincides with the child's knee physiological fulcrum

foldable frame, in aluminium push-handle adjustable in tilt (fig. 3). Adapts to the mother's height and reduces the encumbrance of the pushchair

outdoor bases with puncture proof wheels, light and easy to push on every surface independent drum brakes, directional locks and shock absorbers.

869 four wheel base

front 17 cm
back 25 cm (size onetwo)
30 cm (size threefour)



accessories



863 - adjustable headrest with occipital-parietal supports



852 - adjustable headrest with parietal supports



853 - Vest harness



903 - Five point vest harness



906 - Five point harness



817 - Leg straps



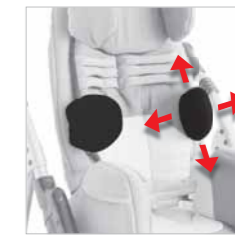
828 - Seat belt



894 - 45° Pelvic belt



834 - Adjustable padded leg dividing support



838 - adjustable lateral supports



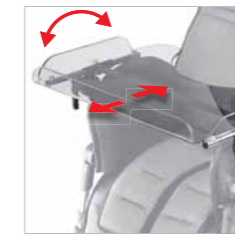
868 - adjustable wrappable and flexible trunk supports



827 - Foot straps



858 - Net basket (only for base 869-901)



824 - adjustable transparent Table



839 - adjustable front handle



818 - Thermal cover



819 - Canopy



825 - Rain cover (the rain cover can only be attached after the canopy 819)



891 - Set of 4 tie down hooks for the forward-facing transport of the pushchair in a motor vehicle (private/cars, buses...). Only available for outdoor base 869



WARNING:
-fits the ISO 10542 compliant 4-POINT STRAP-TYPE TIEDOWN, provided by the vehicle
-it is required for the child to wear both pelvic- and shoulder-belt-type restraints, to be compliant either with ISO 7176-19 or ISO 10542
-postural belts and harnesses such as our 828, 853, 894, 903, 906 are not approved for the use as an occupant restraint system
-the vehicle must be suitable for transporting orthopedic pushchairs in compliance with current law
-read the warnings and instructions given in the user's & maintenance book



901 jogger three wheel base
front 17 cm
back 30 cm



856 hi-low feeder base only for indoor use

10 cm swivelling wheels, with brakes. Adjustable in height. It is easy and safe to use, thanks to a mechanism with a gas spring and a pedal