

STANDY

ENGLISH - COD 22082 - 01-04-2010

The **STANDY stabilizer** is the result of our consolidated experience, our constant research on materials and our attempt to optimize postures. Particular attention has been paid to form and colour as an integral part of the project.



STANDY



PRODUCT TESTED BY
TÜVBERLIN



COMPANY WITH QUALITY MANAGEMENT
SYSTEM CERTIFIED BY DNV
= **ISO 9001:2008** =

 design and quality
MADE IN ITALY since 1980

ORMESA®

ORMESA®

S.r.l. Via A. Da Sangallo, 1 - Loc. PACIANA - 06034 FOLIGNO (Pg) ITALY
Tel.: +39 0742 22927 (r.a.) Fax: +39 0742 22637 E-mail: info@ormesa.com <http://www.ormesa.com>



CORRECT POSITION of ARMS



HOW TO POSITION the WORK TABLE

▶ **OPTIONAL 902** - adjustable front **footrest+straps**

▶ **OPTIONAL 861** - set of 4 wheels with brakes



▶ **OPTIONAL 857** - **side support** for the pelvis



▶ **OPTIONAL 865** - **headrest**



REMOVE THE HANDLE FOR THOSE WHO ARE NOT SELF - SUFFICIENT using the special wrench



CORRECT POSITION of FEET

SAFETY LOCK
to close backrest

height adjustable **CHEST SUPPORT**

height adjustable **WORK TABLE**.
Semi-rigid side protection

ANATOMICAL WORK TABLE with **RAISED EDGE** adjustable in height and completely removable



STANDY 3 how to close the backrest



HOW TO CLOSE the BACKREST

height adjustable **FRAME**
painted with polyester and
epoxi-poliester varnishes

KNEE PADS: adjustable in
width, depth and height

TRANSPORT WHEELS

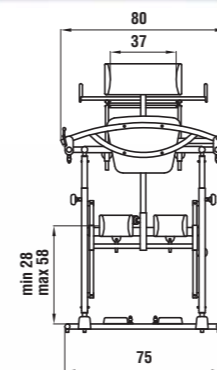
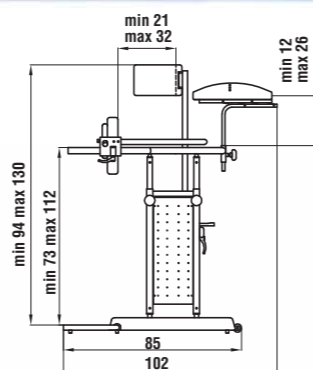
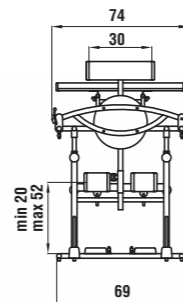
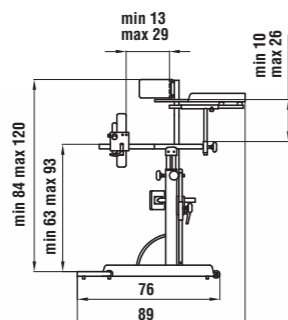
NON-SLIP aluminium
FOOTBOARD

width and depth adjustable
HEEL RESTS



CORRECT POSITION of KNEES and FEET

DIMENSIONS in cm and kg



STANDY 3 medium - Weight kg. 28,9 - Max. capacity kg. 90

STANDY 4 large - Weight kg. 38 - Max. capacity kg. 120



ADJUSTMENT of the BACK SUPPORT
by using the supplied wrench



STANDY 3 for children from **8 to 14**