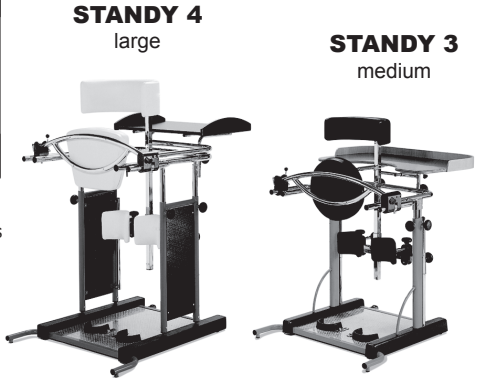


DISTRIBUTOR/AGENT:	DATE OF ORDER:
	DATE OF DELIVERY:
	NAME OF THE ADDRESSEE/USER:

FUNCTIONS

Standy consists of a STRONG STRUCTURE made of tubular steel, with sliding parts chromed and rest painted with polyester and epoxi-polyester varnishes

- Removable **table** adjustable in height with semi-rigid side protection
- **Knee pads** adjustable in height, width and depth
- Padded **back supports** and **chest supports**
- **Heel supports** adjustable in width and backwards-forwards
- Non-slip aluminium **footboard**
- Transport **wheels** allow the device to be moved from one room to another without the user in place



Tested by TÜV Berlin
 FDA registered - USA
 CE marked

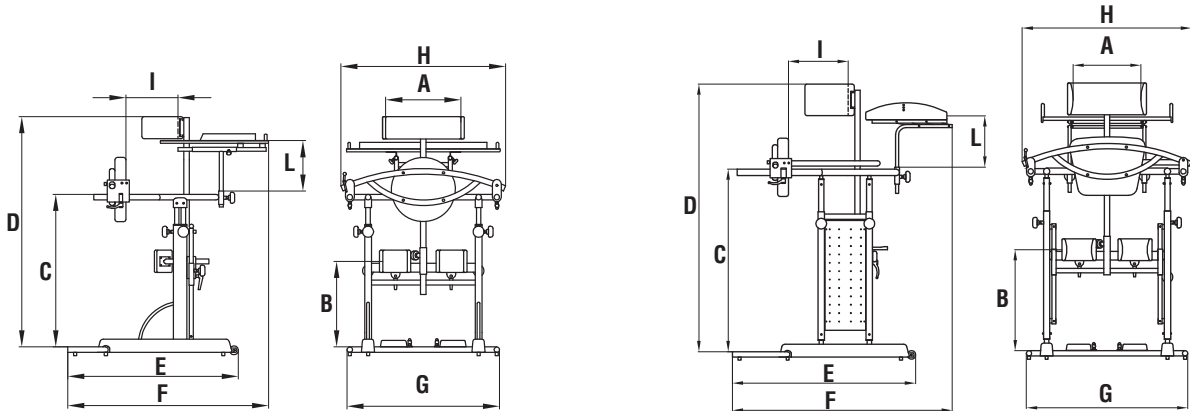
Please check off the interested products: _____

MEASURES

Attention!
 Read carefully the user and maintenance manual

STANDY 3 medium
 Frame colour: **orange** Upholstery colour: **black**

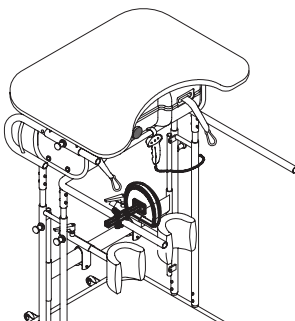
STANDY 4 large
 Frame colour: **plum** Upholstery colour: **white**



SIZE	Max load cap	Aid weight	A	B	C	D	E	F	G	H	I	L
3 medium	Kg. 90	Kg. 28,9	cm 30	cm 20-52	cm 63-93	cm 84-120	cm 76	cm 89	cm 69	cm 74	cm 13-29	cm 10-25
4 large	Kg. 120	Kg. 38	cm 37	cm 28-58	cm 73-112	cm 94-130	cm 85	cm 102	cm 75	cm 80	cm 21-32	cm 12-26

ACCESSORIES

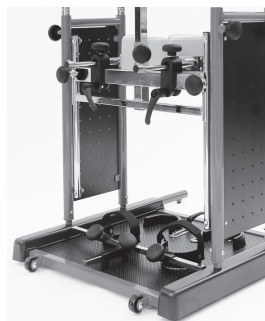
857
 SIDE SUPPORT for the PELVIS



865
 HEADREST



902
 Adjustable FRONT FOOTREST + STRAPS



Notes:

.....

.....

.....

.....

.....

.....

.....

.....

.....

.....

