

DISTRIBUTOR/AGENT:	DATE OF ORDER:
	DATE OF DELIVERY:
	NAME OF THE ADDRESSEE/USER:

FUNCTIONS

Standy Electro Wing consists of a **STRONG STRUCTURE** made of tubular steel, painted with polyester and epoxy-polyester varnishes. Sliding parts are chromed

- **Wheels** with brakes allow the device to be moved from one room to another with the user already in place
- **Heel supports** adjustable in width and backwards-forwards
- **Knee pads** adjustable in height, width and backwards-forwards
- **Tray** adjustable in height, backwards-forwards and in tilt (0° - 23°)
- **The emergency button** (located under the tray) is depth adjustable using 4 screws
- **Standard lifting band** ergonomic, with internal covering in no-slide technical fabric. Hooks to allow traction while climbing. An alternative maxi size is available (907 model). Alternative 908 lifting band with pelvis belt. A maxi size is available (909 model)



FDA registered - USA
CE marked

Please check off the interested products: _____

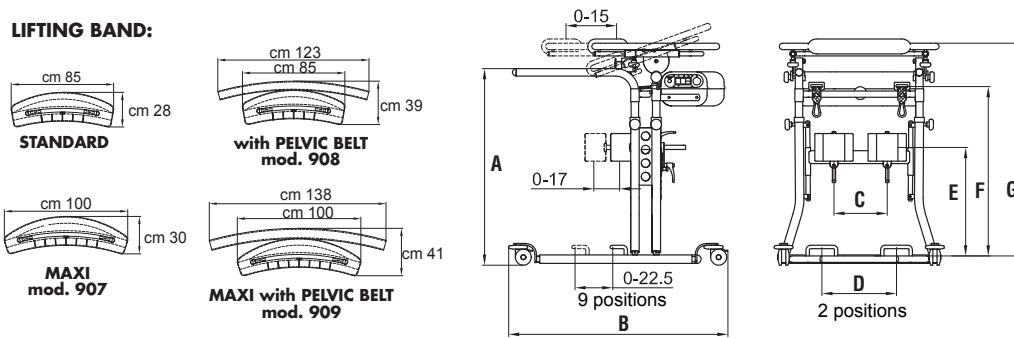
MEASURES

- STANDY ELECTRO WING (for adults)**
- STANDARD LIFTING BAND**
- MAXI LIFTING BAND mod. 907**
- LIFTING BAND + PELVIC BELT mod. 908**
- MAXI LIFTING BAND + PELVIC BELT mod. 909**



Attention!
 Read carefully the user and maintenance manual

LIFTING BAND:



Frame colour: **anthracite grey**
 Upholstery colour: **black**

Total weight	Max load cap	A	B	C	D	E	F	G	H	I	L	M	N
Kg. 62	Kg. 120	cm 89-108	cm 103	cm 19-49	cm 27-35	cm 42-60	cm 70-104	cm 95-124	cm 80	cm 59	cm 103-113	cm 60	cm 75

ACCESSORIES

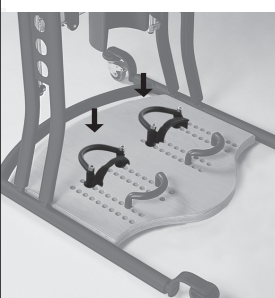
866
 PELVIC, HEAD and BACK SUPPORT



867
 PELVIC SUPPORT



902
 Front FOOT RESTRAINTS with belts



Notes:

.....

.....

.....

.....

.....

.....

.....

.....

