

# MINI STANDY



INGLESE - COD. 22081-13122010

®  
O  
R  
M  
E  
S  
A



Authorized Dealer

CE

PRODUCT TESTED BY  
**TÜV** BERLIN

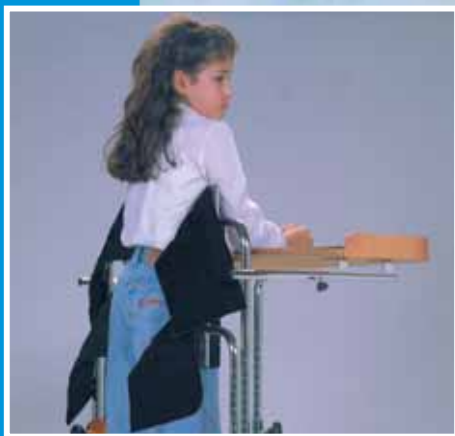
COMPANY WITH QUALITY MANAGEMENT  
SYSTEM CERTIFIED BY DNV  
= ISO 9001:2008 =

**ORMESA**® s.r.l.  
Via A. Da Sangallo, 1 06034 FOLIGNO (PG) ITALY  
TEL. +39 0742 22927 - FAX +39 0742 22637  
info@ormesa.com - www.ormesa.com

The copyright even if partial is not allowed  
without the authorization of the manufacturer  
The manufacturer reserves the right to make  
changes without any notice

 design and quality  
MADE IN ITALY since 1980

**ORMESA**®



ADJUSTABLE SUPPORT with velcro strip



Adjustable **KNEE PADS** for **FOOT FLEXION-EXTENSION**



Adjustment of **ADDUCTION-ABDUCTION OF LEGS**



Removable **WORK TABLE**, IT IS **ADJUSTABLE** in height and depth



Adjustable **FRONT** and **BACK CHEST SUPPORT**



Adjustable **FRONT** and **BACK PELVIC SUPPORT**

**FRAME** with a **SMOOTH CONTOUR** to **ALLOW TRUNK ROTATION** and **SIDWAYS ARM MOVEMENT**.

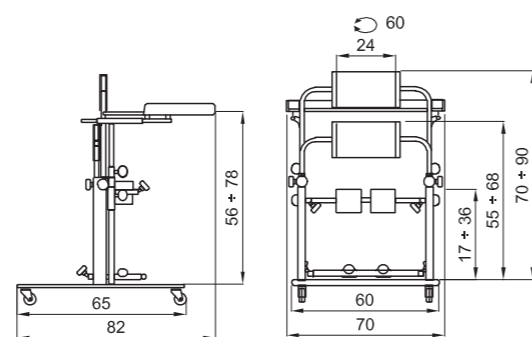


If the child has **SUFFICIENT TRUNK CONTROL**, only the **PELVIC SUPPORT BAND** is necessary

DIMENSIONS in cm.

**MINI STANDY 2**

Weight 19,9 kg  
Max cap load 45 kg



**MINI STANDY 3**

Weight 23,9 kg  
Max cap load 55 kg

