

grillo

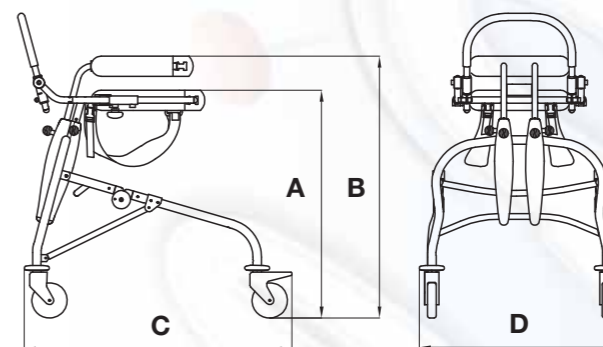
2007 edition

INGLES cod. 22816 - 01/07/2010



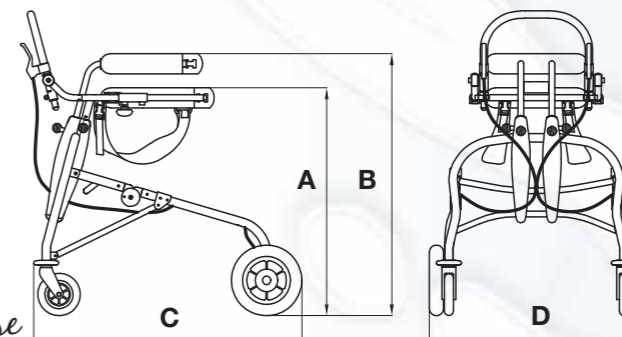
The copyright even if partial is not allowed without the authorization of the manufacturer. The manufacturer reserves the right to make changes without any notice

for Indoor use



sizes	max load cap	A	B	C	D	Weight of the aid	Inner circumference of the adjustable pelvic and chest support
grillo 1	kg 30	cm 45-60	cm 53-72	cm 76	cm 66	kg 13	from cm 47 to cm 65
grillo 2	kg 45	cm 59-76	cm 70-90	cm 88	cm 66	kg 18,9	from cm 56 to cm 75
grillo 3	kg 60	cm 76-94	cm 86-104	cm 94	cm 71	kg 20,2	from cm 72 to cm 92
grillo 4	kg 75	cm 87-108	cm 98-120	cm 99	cm 71	kg 20,7	from cm 80 to cm 100

for Outdoor use



sizes	max load cap	A	B	C	D	Weight of the aid	Inner circumference of the adjustable pelvic and chest support
grillo 2	kg 45	cm 59-76	cm 70-90	cm 90	cm 74	kg 20,1	da cm 56 a cm 75
grillo 3	kg 60	cm 76-94	cm 86-104	cm 96	cm 79	kg 21,2	da cm 72 a cm 92
grillo 4	kg 75	cm 87-108	cm 98-120	cm 101	cm 79	kg 21,7	da cm 80 a cm 100

CE COMPANY WITH QUALITY MANAGEMENT SYSTEM CERTIFIED BY DNV = ISO 9001:2008 =

Authorized Dealer

design and quality
MADE IN ITALY since 1980

ORMESA®

ORMESA® S.r.l. - Via A. Da Sangallo, 1 - PACIANA
06034 FOLIGNO (PG) ITALY - TEL. +39 0742 22927 (r.a.) FAX +39 0742 22637
info@ormesa.com - www.ormesa.com

grillo

for indoor and outdoor use

Grillo was designed to generate and help the step pattern, to train the pelvis and trunk and to keep their balance, to organize a wider structured vision of space, of distance and of the User's surroundings in his upright position, to develop physical self-sufficiency and psychological independence by experimenting the possibility of moving by oneself

accessories



809 - arm supports
indoor and outdoor use



810 - weight bars
indoor and outdoor use



811 - front wheels with adjustable brakes
indoor use only

make the walker heavier according to the size as follows:

size 1 (left + right)	size 2 (left + right)	size 3 (left + right)	size 4 (left + right)
kg. 4	kg. 4,9	kg. 5,3	kg. 5,8



812 - directional locks for back wheels
indoor use only



824 - transparent table
indoor use only



890 - pair of abduction straps
indoor and outdoor use



Grillo for outdoor use is available in 3 sizes and it allows the use of the walking frame on streets, gardens, etc. without any step and steep slope

technical features



(pict. 1)

Non-toxic epoxy varnished-plated **frame** with chromium-plated adjustable parts. It is **foldable for an easier transportation** (pict. 1) except size 1

adjustable handlebar

padded pelvic support (pict. 2) for the pelvis. Adjustable in height and forwards-backwards to better follow the natural position and shape of its user's body

padded chest support (pict. 2) adjustable in height, width and in circumference

padded groin harness is comfortable and holds the user from falling. It is adjustable in height thanks to belts and buckles and can be easily removed for washing

semi-elastic buffers to protect from any bumps

wheels of Grillo for indoor use: unpierceable castor wheels,

the rear ones have independent brakes. Accessory **811** on the front wheels helps the adjustment of the flowability of the walking frame; accessory **812** on the back wheels helps its direction

wheels of Grillo for outdoor use: 25 cm unpierceable rear fixed wheels with brakes, 15 cm unpierceable castor front wheels

hand brakes (Grillo outdoor use)

it is possible to use only the pelvic support if the user has a sufficient trunk control



Grillo makes up for the lack of balance thanks to its wide base and it allows the user to move by himself thanks to its wheels

indoor use



size **1**
yellow frame



size **2**
red frame



size **3**
orange frame



size **4**
aluminium color frame

outdoor use



size **2**
red frame



size **3**
orange frame



size **4**
color aluminium frame