

DISTRIBUTOR/AGENT:	DATE OF ORDER:
	DATE OF DELIVERY:
	NAME OF THE ADDRESSEE/USER:



FDA registered - USA
CE marked

FUNCTIONS

- Steel **folding frame** (size 2, 3 and 4) for easy transportation, with a non-toxic epoxy varnish finish
- Padded chromium-plated **pelvic support**, adjustable in height, in width as well as backwards-forwards. Allows an easy access thanks to the back opening and can be removed
- Padded chromium-plated **chest support**, adjustable in height as well as in width. Allows an easy access thanks to the back opening and can be removed
- Padded **alpine harness**: it is comfortable and safe because it generates no painful pressures and holds the user in case of fall or when he needs to rest. It is adjustable in height and in its circumference, thanks to belts and buckles
- Base with **pivoting wheels**, the rear ones with double effect brakes. The walker moving can be adjusted by the 811 accessory, while direction can be easier with the 812 accessory
- Semi-elastic PVC **buffers** to protect from impacts

Attention!
Read carefully the user and maintenance manual

Please check off the interested products: _____

MEASURES

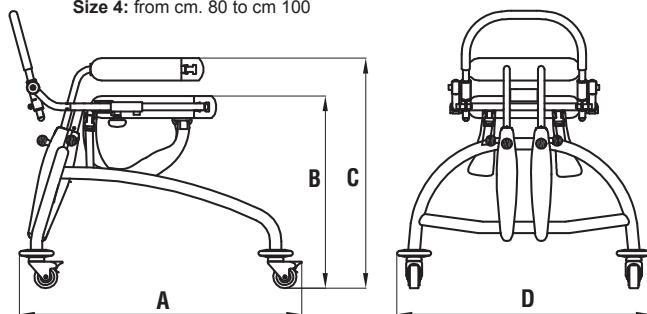
- GRILLO-1 (MINI) unfoldable **YELLOW** frame
- GRILLO-2 (SMALL) **RED** frame
- GRILLO-3 (MEDIUM) **ORANGE** frame
- GRILLO-4 (LARGE) **ALUMINIUM** colour frame

Upholsteries colour: **Black**

SIZES	Weight of the aid	Max cap load	Weight of the bars left+right	A	B	C	D
1	Kg. 13	Kg. 30	Kg. 4	cm 76	cm 45-60	cm 53-72	cm 66
2	Kg. 18,9	Kg. 45	Kg. 4,9	cm 88	cm 59-76	cm 70-90	cm 66
3	Kg. 20,2	Kg. 60	Kg. 5,3	cm 94	cm 76-94	cm 86-104	cm 71
4	Kg. 20,7	Kg. 75	Kg. 5,8	cm 99	cm 87-108	cm 98-120	cm 71

Inner Circumference of the adjustable pelvic and chest supports:

- Size 1: from cm. 47 to cm 65
- Size 2: from cm. 56 to cm 75
- Size 3: from cm. 72 to cm 92
- Size 4: from cm. 80 to cm 100



ACCESSORIES

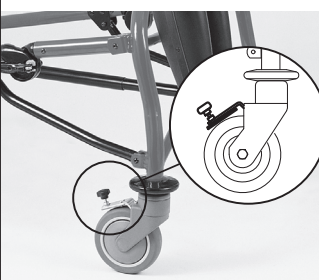
809 Arm supports



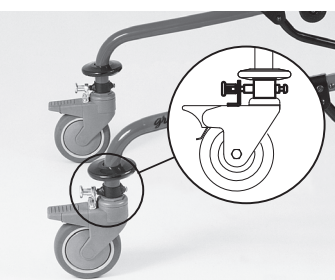
810 Weight bars. Please see the table above to check the added weight for each size



811 Adjustable brakes for front wheels



812 Directional locks for back wheels



824 Transparent table



890 Pair of adjustable abduction straps



Notes:

.....

.....

.....

.....



Tel. +39 0742 22927 Fax +39 0742 22637 www.ormesa.com info@ormesa.com

DISTRIBUTOR/AGENT:	DATE OF ORDER:
	DATE OF DELIVERY:
	NAME OF THE ADDRESSEE/USER:



FDA registered - USA
CE marked

FUNCTIONS

- Steel **folding frame** (size 2, 3 and 4) for easy transportation, with a non-toxic epoxy varnish finish
- Manual **brakes**
- Padded chromium-plated **pelvic support**, adjustable in height, in width as well as backwards and forwards. It can be removed
- Padded chromium-plated **chest support**, adjustable in height as well as in width. It can be removed
- Padded **alpine harness**: it is comfortable and safe because it generates no painful pressures and holds the user in case of fall or when he needs to rest. It is adjustable in height and in its circumference, thanks to belts and buckles
- Base with **unpierceable wheels**, front cm 15 pivoting wheels and back cm 25 fixed wheels, with drum brakes
- Semi-elastic PVC **buffers** on the front wheels, to protect from impacts



Attention!
Read carefully the user and maintenance manual

Please check off the interested products:

MEASURES

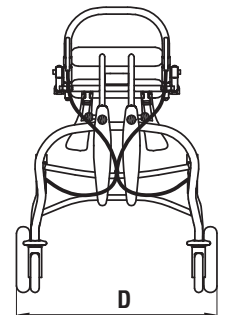
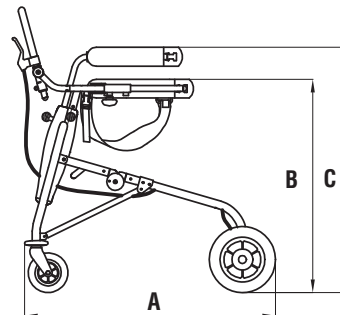
- GRILLO-2 RED frame**
- GRILLO-3 ORANGE frame**
- GRILLO-4 ALUMINIUM colour frame**

Upholsteries colour: **Black**

SIZES	Weight of the aid	Max cap load	Weight of the bars left+right	A	B	C	D
2	Kg. 20,1	Kg. 45	Kg. 4,9	cm 90	cm 59-76	cm 70-90	cm 74
3	Kg. 21,2	Kg. 60	Kg. 5,3	cm 96	cm 76-94	cm 86-104	cm 79
4	Kg. 21,7	Kg. 75	Kg. 5,8	cm 101	cm 87-108	cm 98-120	cm 79

Inner Circumference of the adjustable pelvic and chest supports:

- Size 2: from cm. 56 to cm 75
- Size 3: from cm. 72 to cm 92
- Size 4: from cm. 80 to cm 100



ACCESSORIES

809 Arm supports



810 Weight bars. Please see the table above to check the added weight for each size



890 Pair of adjustable abduction straps



Notes:

.....

.....

.....

.....

.....

.....

.....

.....

