



CE marked

- F**
U
N
C
T
I
O
N
S
- **Frame** made of chromed steel, painted with non-toxic epoxy powder paint
 - **Upholstery** breathable, fire-retardant, attachable to the seat with buttons. Easily removable for machine washing
 - **Headrest** wide and wrap-around, antibacterial, padded, height adjustable, with vertical and frontback rotation
 - **Back** wide and retentive, can be arranged in four positions to vary the depth of the seat bottom
 - **Seat bottom** adjustable inclination from 10° to 27° thanks to a gas spring; available in four widths (36, 40, 45 and 50 cm) inclined by 10° to prevent the user sliding forward • **Seat** low, to facilitate the user getting on and off
 - **Sides** swing away to facilitate the user getting on and off with padded and height adjustable **armrests**
 - **Corner protectors** padded for the knee • **Footrests** flip up and height adjustable
 - **Leg support** tilt- and height adjustable, swing away to help the operator get close as the user gets on and off, and with flip up **footplates** for an easy access to elevators and small rooms. Provided with padded **calftrest**
 - **Mod. B30** with 17 cm front solid swivelling wheels and 30 cm rear wheels; drum brakes are engageable with a single control pedal. Size 50 with pneumatic wheels
 - **Mod. B12** with four 12 cm front solid swivelling wheels, the rear one with brakes

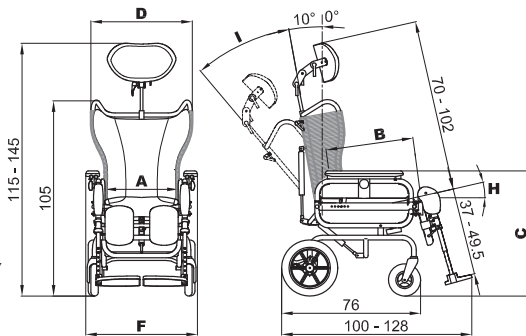
Please check off the interested products: _____

M
E
A
S
U
R
E
S

Giuditta mod B30

- size 36
 size 40
 size 45
 size 50

Frame colour:
anthracite grey
Upholstery colour:
grey

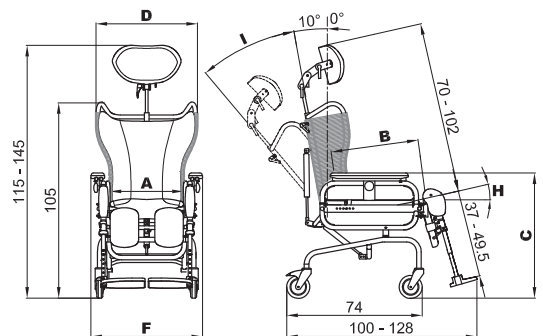


Giuditta mod B12

- size 36
 size 40
 size 45
 size 50



Attention!
Read carefully the user and maintenance manual



Giuditta mod B30	A	B	C	D	F	H	I	I	I	Aid weight	Max cap load
size 36	cm 36	cm 36-40-43	cm 70-75	cm 52	cm 54	10°-27°	con B a cm 36 26°	con B a cm 40 28°	con B a cm 43 35°	Kg 32	Kg 140
size 40	cm 40	cm 36-40-43	cm 70-75	cm 56	cm 59	10°-27°	con B a cm 36 25°	con B a cm 40 27°	con B a cm 43 30°	Kg 33	Kg 140
size 45	cm 45	cm 42-45-47	cm 70-75	cm 61	cm 64	10°-27°	con B a cm 42 28°	con B a cm 45 30°	con B a cm 47 35°	Kg 34	Kg 140
size 50	cm 50	cm 42-45-47	cm 70-75	cm 66	cm 69	10°-27°	con B a cm 42 26°	con B a cm 45 28°	con B a cm 47 32°	Kg 35	Kg 140
Giuditta mod B12	A	B	C	D	F	H	I	I	I	Aid weight	Max cap load
size 36	cm 36	cm 36-40-43	cm 70-75	cm 52	cm 54	10°-27°	con B a cm 36 26°	con B a cm 40 28°	con B a cm 43 35°	Kg 29,5	Kg 140
size 40	cm 40	cm 36-40-43	cm 70-75	cm 56	cm 59	10°-27°	con B a cm 36 25°	con B a cm 40 27°	con B a cm 43 30°	Kg 30,5	Kg 140
size 45	cm 45	cm 42-45-47	cm 70-75	cm 61	cm 64	10°-27°	con B a cm 42 28°	con B a cm 45 30°	con B a cm 47 35°	Kg 31,5	Kg 140
size 50	cm 50	cm 42-45-47	cm 70-75	cm 66	cm 69	10°-27°	con B a cm 42 26°	con B a cm 45 28°	con B a cm 47 32°	Kg 32,5	Kg 140

A
C
C
E
S
S
O
R
I
E
S

824-R
Reclinable tray,
adjustable
backwards-forwards

824-F
tray, adjustable
backwards-forwards



828
Abdominal belt



834
Abduction block,
adjustable in height
and backwards-
forwards



892
Removable footplate
covering



896
Removable covering
for tray (accessories
824-R and 824-F)



914
Footrest lock.
Locks the two
footrests together to
form one unit



916
Padded leg panel in
alternative to the
calftrest

