

Tel. +39 0742 22927 Fax +39 0742 22637 www.ormesa.com info@ormesa.com

DISTRIBUTOR/AGENT:	DATE OF ORDER:
	DATE OF DELIVERY:
	NAME OF THE ADDRESSEE/USER:



Tested by TÜV Berlin
 FDA registered - USA
 CE marked

FUNCTIONS

- Non-toxic epoxy varnished chromium-plated **frame**, in steel
- Padded **pelvic support** adjustable in height as well as backwards-forwards
- Padded **chest support** adjustable in height and removable
- Double thickness cotton fabric **harness** adjustable in height thanks to belts and buckles and in girth with velcro strips. It can be easily removed for washing
- 8 cm **castor wheels**. Each has a double brake
- Semi-elastic **PVC bumpers** to protect from impacts

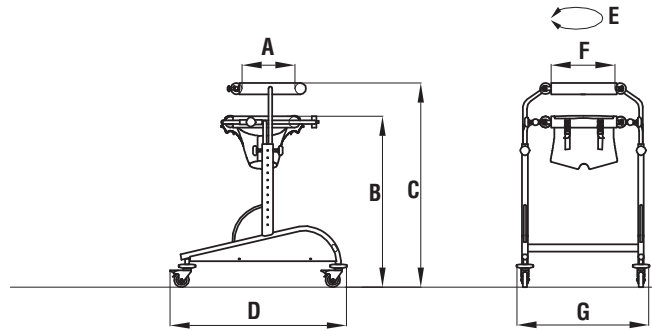
Please check off the interested products: _____

MEASURES

- DYNAMICO-1** (very small) **YELLOW** frame
- DYNAMICO-2** (small) **YELLOW** frame
- DYNAMICO-3** (medium) **YELLOW** frame
- DYNAMICO-4** (large) **ANTHRACITE** frame
- DYNAMICO-5** (for adults) **ANTHRACITE** frame

Upholsteries colour: **Black**

Attention!
 Read carefully the user and maintenance manual



SIZES	MAX CAP LOAD	AID WEIGHT	WEIGHT BAR right+left	A	B	C	D	E	F	G
1	Kg. 55	Kg. 12	-----	cm 18	cm 44-60	cm 52-70	cm 79	cm 65	cm 25	cm 66
2	Kg. 70	Kg. 14,6	Kg. 5	cm 21	cm 66-82	cm 77-95	cm 84	cm 75	cm 28	cm 66
3	Kg. 85	Kg. 15,6	Kg. 6,2	cm 25	cm 77-102	cm 89-116	cm 88	cm 85	cm 30	cm 66
4	Kg. 100	Kg. 17	Kg. 7,4	cm 30	cm 85-112	cm 92-126	cm 95	cm 110	cm 35	cm 71
5	Kg. 115	Kg. 19,7	Kg. 8,7	cm 32	cm 98-120	cm 108-138	cm 106	cm 120	cm 41	cm 77

ACCESSORIES

<input type="checkbox"/> 809 Arm support. Alternative to 813 and 824 	<input type="checkbox"/> 810 Weight bars (sizes 2,3,4,5). Please see the table above to check the added weight for each size 	<input type="checkbox"/> 811 Front wheels with adjustable brakes 	<input type="checkbox"/> 812 Back wheels with directional locks
<input type="checkbox"/> 813 Adjustable handlebar. Alternative to 809 and 824 	<input type="checkbox"/> 814 Leg divider 	<input type="checkbox"/> 815 Abduction saddle (sizes 2,3,4) 	<input type="checkbox"/> 824 Transparent tray. Alternative to 809 and 813

Notes:



Tel. +39 0742 22927 Fax +39 0742 22637 www.ormesa.com info@ormesa.com

DISTRIBUTOR/AGENT:	DATE OF ORDER:
	DATE OF DELIVERY:
	NAME OF THE ADDRESSEE/USER:



Tested by TÜV Berlin
 FDA registered - USA
 CE marked

FUNCTIONS

- Non-toxic epoxy varnished chromium-plated **frame**, in steel
- Padded **pelvic support** adjustable in height as well as backwards-forwards
- Padded **chest support** adjustable in height and removable
- Double thickness cotton fabric **harness** adjustable in height thanks to belts and buckles in girth with velcro strips. It can be easily removed for washing
- **Unpierceable wheels**, front pivoting cm 17 and back fixed cm 30
- Semi-elastic **PVC bumpers** to protect from impacts
- **hand brakes**

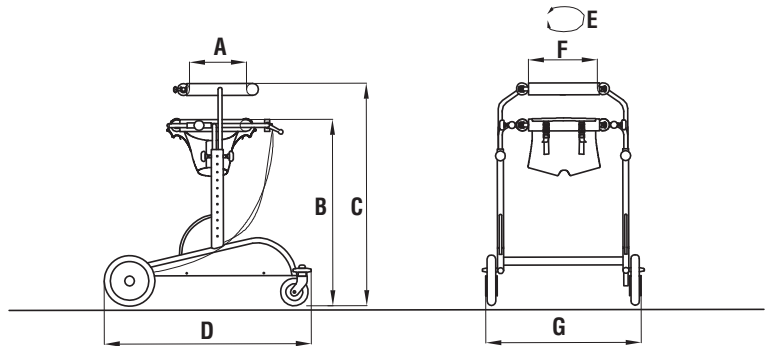
Please check off the interested products: _____

MEASURES

- DYNAMICO-2 (small) YELLOW frame**
- DYNAMICO-3 (medium) YELLOW frame**
- DYNAMICO-4 (large) ANTHRACITE frame**
- DYNAMICO-5 (for adults) ANTHRACITE frame**

Upholsteries colour: **Black**

Attention!
 Read carefully the user and maintenance manual



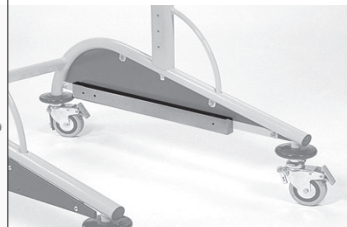
SIZES	MAX CAP LOAD	AID WEIGHT	WEIGHT BAR right+left	A	B	C	D	E	F	G
2	Kg. 70	Kg. 17,9	Kg. 5	cm 21	cm 71-87	cm 82-100	cm 93	cm 75	cm 28	cm 74
3	Kg. 85	Kg. 19,3	Kg. 6,2	cm 25	cm 82-107	cm 94-121	cm 97	cm 85	cm 30	cm 74
4	Kg. 100	Kg. 20,4	Kg. 7,4	cm 30	cm 90-117	cm 97-131	cm 104	cm 110	cm 35	cm 78
5	Kg. 115	Kg. 22,7	Kg. 8,7	cm 32	cm 103-125	cm 113-138	cm 114	cm 120	cm 41	cm 82

ACCESSORIES

809 Arm support



810 Weight bars. Please see the table above to check the added weight for each size



Note: _____

