

DISTRIBUTOR/AGENT:	DATE OF ORDER:
	DATE OF DELIVERY:
	NAME OF THE ADDRESSEE/USER:



FDA registered - USA
CE marked

FUNCTIONS

- **Frame** varnished with non-toxic epoxy-powder paint and with chromium-plated and adjustable parts. It is adjustable in tilt
- **Removable table** in multilayer wood, adjustable in height, depth and tilt
- **Knee-pads** adjustable in depth, width, height and in a rotatory movement
- **Heel-rests** adjustable in depth and width
- **Wooden base** adjustable in height
- **Pelvic support** adjustable in height, backwards-forwards and in its circumference thanks to velcro straps
- **Chest support** (only for sizes 2 and 3) adjustable in height, backwards-forwards and in its circumference thanks to velcro straps
- **Unpierceable wheels**, diam. 75 mm with brakes. Thanks to the wheels the aid can be moved from one room to another with the user already in place

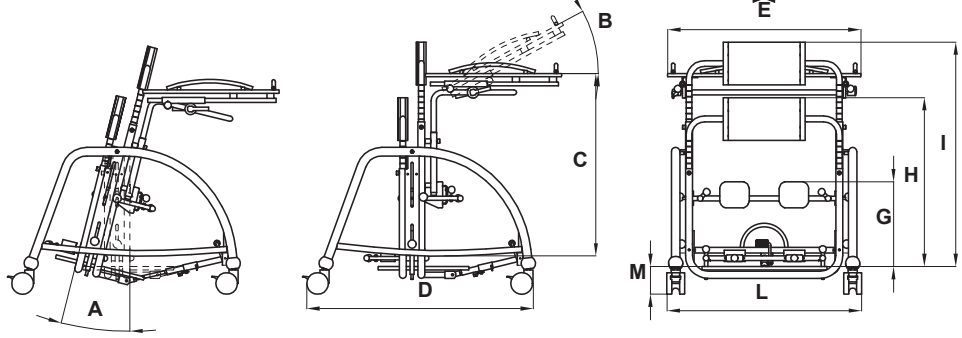
Please check off the interested products: _____

MEASURES

- DONDOLINO - 1
- DONDOLINO - 2
- DONDOLINO - 3

Frame colour: **blue-yellow (combined)**
Upholstery colour: **red**

Birch wooden table and base



Attention!
Read carefully the user and maintenance manual

SIZE	WEIGHT	MAX LOAD CAP	A	B	C	D	E	F	G	H	I	L	M
1	Kg. 15,5	Kg. 35	0°-19°	0°-25°	cm 51-71	cm 67	cm 60	cm 60	cm 18-31	cm 39-57	--	cm 63	cm 10-16
2	Kg. 21,5	Kg. 45	0°-14°	0°-25°	cm 62-82	cm 81	cm 68	cm 60	cm 23-44	cm 44-70	cm 60-86	cm 68	cm 9-16
3	Kg. 24	Kg. 55	0°-11°	0°-25°	cm 71-93	cm 87	cm 68	cm 70	cm 23-54	cm 56-91	cm 76-110	cm 72	cm 9-16

Notes:

.....

.....

.....

.....

.....

.....

.....

.....

.....

.....