

Tel. +39 0742 22927 Fax +39 0742 22637 www.ormesa.com info@ormesa.com

DISTRIBUTOR/AGENT:	DATE OF ORDER:
	DATE OF DELIVERY:
	NAME OF THE ADDRESSEE/USER:



FUNCTIONS

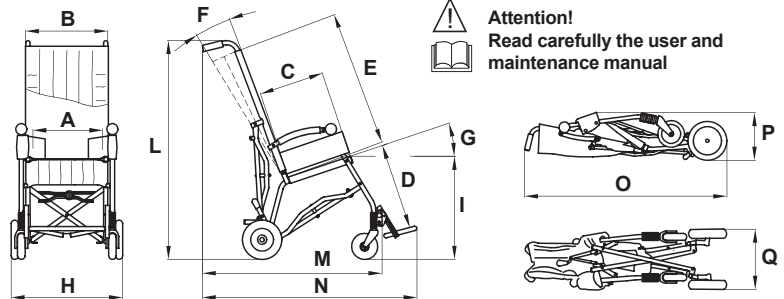
- **Lightweight aluminium frame**, painted with non-toxic epoxy powders. It folds just like an umbrella
- **Semi-rigid backrest**, reclines in three positions with zippers
- **Semi-rigid seat bottom**, slightly inclined
- **Padded upholstery** removable for washing with removable aluminium reinforcement ribs; slots for attaching accessories
- **Net basket** on the back of the backrest
- **Removable footrest** height adjustable
- **Legrest strap**
- **Puncture-proof wheels** sliding on ball bearings: front 15-cm swivelling, rear 20-cm with independent brakes

Certified by **CERAH** France
FDA registered - USA
CE marked

Please check off the interested products:

MEASURES

- CLIP-1**
- CLIP-2**
- CLIP-3**
- Upholstery colour: **Blue and grey combined**
Frame colour: **Grey**



SIZE	MAX LOAD CAP	Total weight	A	B	C	D	E	F	G	H	I	L	M	N	O	P	Q
1	Kg. 30	Kg. 10,8	cm 30	cm 40	cm 25	cm 15-23	cm 55	0°-12°	18°	cm 51	cm 46	cm 99	cm 73	cm 80	cm 110	cm 30	cm 32
2	Kg. 35	Kg. 11	cm 33	cm 40	cm 30	cm 21-31	cm 59	0°-12°	18°	cm 51	cm 48	cm 99	cm 73	cm 90	cm 110	cm 30	cm 32
3	Kg. 40	Kg. 11,2	cm 36	cm 40	cm 35	cm 27-37	cm 64	0°-12°	18°	cm 51	cm 49	cm 104	cm 79	cm 96	cm 115	cm 32	cm 35

ACCESSORIES

<input type="checkbox"/> 812 Wheel direction locks 	<input type="checkbox"/> 816 Side supports for the trunk 	<input type="checkbox"/> 817 Leg straps 	<input type="checkbox"/> 818 Thermal cover 	<input type="checkbox"/> 819 Canopy 	<input type="checkbox"/> 825 Rain cover (it can only be attached after the canopy 819)
<input type="checkbox"/> 827 Foot straps 	<input type="checkbox"/> 828 Chest belt 	<input type="checkbox"/> 835 Adjustable headrest 	<input type="checkbox"/> 853 Vest harness 	<input type="checkbox"/> 891 Set of 4 tie down hooks for the forward-facing transport of the pushchair in a motor vehicle (private vans/cars, buses...) 	<input type="checkbox"/> 894 45° Pelvic belt
<input type="checkbox"/> 903 Five point vest harness 	<input type="checkbox"/> 906 Five point harness 	Notes:			



DISTRIBUTOR/AGENT:	DATE OF ORDER:
	DATE OF DELIVERY:
	NAME OF THE ADDRESSEE/USER:



FDA registered - USA
CE marked

FUNCTIONS

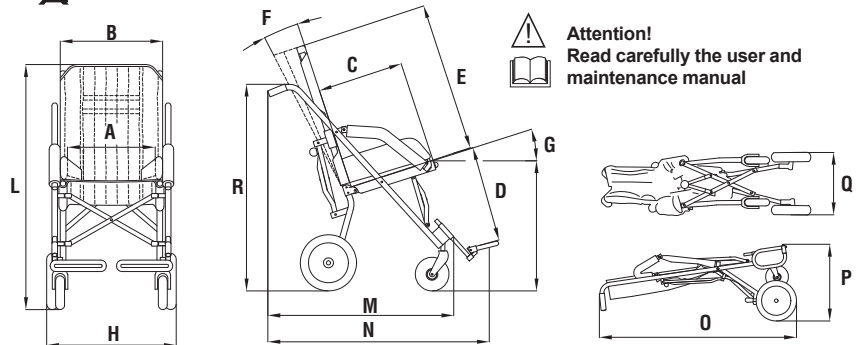
- **Lightweight aluminium frame**, painted with non-toxic epoxy powders. It folds just like an umbrella
- **Semi-rigid backrest**, reclines in three positions with zippers
- **Semi-rigid seat bottom**, slightly inclined
- **Padded upholstery** removable for washing, with removable aluminium reinforcement ribs; slots for attaching accessories
- **Net basket** on the back of the backrest
- **Removable footrests** height adjustable
- **Legrest strap**
- **Puncture-proof wheels** sliding on ball bearings: front 17.5-cm swivelling, rear 25-cm with independent brakes

Please check off the interested products:

MEASURES

CLIP-4

Upholstery colour: **Blue and grey combined**
Frame Colour: **Grey**



MAX LOAD CAP	Total weight	A*	B	C	D	E	F	G	H	I	L	M	N	O	P	Q	R
Kg. 76	Kg. 12,5	cm 33	cm 45	cm 38	cm 36-48	cm 70	0°-10°	18°	cm 57	cm 59	cm 112	cm 82	cm 105	cm 115	cm 56	cm 34	cm 95

* Seat width without padded sides (A) cm 45

ACCESSORIES

<input type="checkbox"/> 812 Wheel direction locks 	<input type="checkbox"/> 816 Side supports for the trunk 	<input type="checkbox"/> 817 Leg straps 	<input type="checkbox"/> 818 Thermal cover 	<input type="checkbox"/> 819 Canopy 	<input type="checkbox"/> 825 Rain cover (it can only be attached after the canopy 819)
<input type="checkbox"/> 827 Foot straps 	<input type="checkbox"/> 828 Chest belt 	<input type="checkbox"/> 835 Adjustable headrest 	<input type="checkbox"/> 853 Vest harness 	<input type="checkbox"/> 894 45° Pelvic belt 	<input type="checkbox"/> 903 Five point vest harness

906
Five point harness

Notes:

.....

.....

.....

.....

