

DISTRIBUTOR/AGENT:	DATE OF ORDER:
	DATE OF DELIVERY:
	NAME OF THE ADDRESSEE/USER:



CE marked



Attention!
Read carefully the user and maintenance manual

FUNCTIONS

- **Folding frame** with longitudinal and transversal strengthened parts in order to minimize the oscillations (on sizes 2,3,4 and 5)
- **Front brake** that can be operated by the lever either on the right or on the left side of the handlebar
- **Locking mechanism** of the tricycle (it blocks the tricycle when the User climbs on/off)
- **Light** battery-operated (on sizes 4 and 5)
- **Ergonomic saddle** • **Splashboards** (on sizes 3,4 and 5) • **Bell** • **Basket**
- **Wheels** run on ball bearings. A mechanism on the rear wheel allows easy adjustment of the tension of the chain

Please check off the interested products: _____

MEASURES

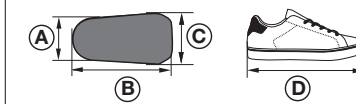
- 207-1 mini 12"**
- 207-2 small 14"**
- 207-3 medium 16"**
- 207-4 large 20"**
- 207-5 maxi 24"**

- Fixed pinion**
- Free-wheel**
- Differential and fixed pinion**
(only sizes 3-4-5)
- Differential and free-wheel**
(only sizes 3-4-5)

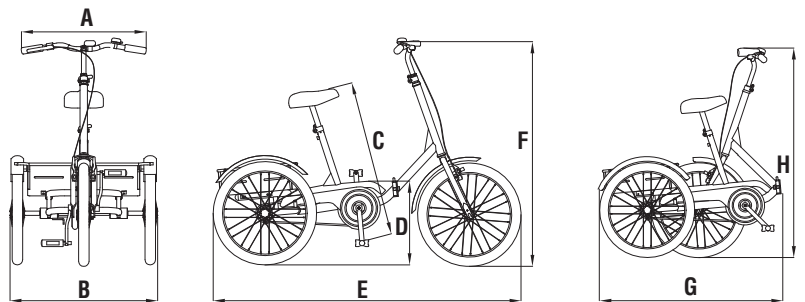
FRAME COLOUR:

- White**
- Bleu**
- Red**

* **841** Footstraps with stirrups, footprint and buckling



sizes:	footprint measures 841			shoe length min-Max
	A	B	C	D
1/2	cm 7	cm 16,5	cm 9	cm 18 - 21
3	cm 8,2	cm 20	cm 10,4	cm 21 - 24
4/5	cm 9,4	cm 22,5	cm 12	over cm 24



SIZE	Max Cap Load	Aid weight	A	B	C	D	E	F	G	H
1 mini 12"	Kg. 30	Kg. 12.5	cm 46	cm 53	cm 39-48	cm 28	cm 96	cm 73-82	--	--
2 small 14"	Kg. 45	Kg. 15	cm 50	cm 62	cm 46-62	cm 30	cm 113	cm 80-94	cm 73	cm 81
3 medium 16"	Kg. 60	Kg. 18.5	cm 60	cm 66	cm 55-70	cm 40	cm 135	cm 93-107	cm 84	cm 95
4 large 20"	Kg. 90	Kg. 22	cm 60	cm 72	cm 65-82	cm 40	cm 160	cm 100-114	cm 95	cm 105
5 maxi 24"	Kg. 100	Kg. 24	cm 60	cm 77	cm 73-85	cm 40	cm 175	cm 111-125	cm 105	cm 115

ACCESSORIES

840 Footstraps with stirrup



841 Footstraps with stirrup, footprint and buckling

- 841-1/2** for the size please refer to the tab above. ★
- 841-3**
- 841-4/5**



842 Concave back with belt (increases the distance between the saddle and the pedal of 3 cm)



843 Abduction saddle with flat backrest



842+843 Concave back + abduction saddle



845 Arm supports



846 Ankle supports adjustable at the calf



847 Pedal cranks adjustable in length for 207 sizes 4 and 5



862 Three speed derailleur only for 207 sizes 3, 4 and 5 (it eliminates the possibility of cycling backwards)



864 Disc brake only for 207 with differential sizes 3, 4 and 5

