

# Duecentotré 5 **DOCCIA**

203-5 SHOWER-CHAIR



**ORMESA**

# Duecentotré 5 DOCCIA



834 abduction block

## WINDING HEADREST

separated from the backrest and adjustable in tilt, height and in the front and in the back position.

Triangular shaped **WINDING BACKREST**, in order to keep the trunk better. It can be fixed in 2 positions in order to have the seat adjustable in depth (2 different ones). Adjustable tilt thanks to the back rack locking.

## Washable PVC-STRING COVERING

It allows a wide perspiration and it's highly wear-resistant. The sufficiently elastic covering assumes the shape of the shoulders and of the bottom.

detachable and turning sideways **SIDES**

**One only overturnable FOOTREST**, in order to help the approach of the operator, the sitting and the getting down of the user.

## ALLUMINIUM FRAME

Painted with non-toxic epoxy varnish



Unpiercerable **WHEELS** 12 cm, back wheels with brake.

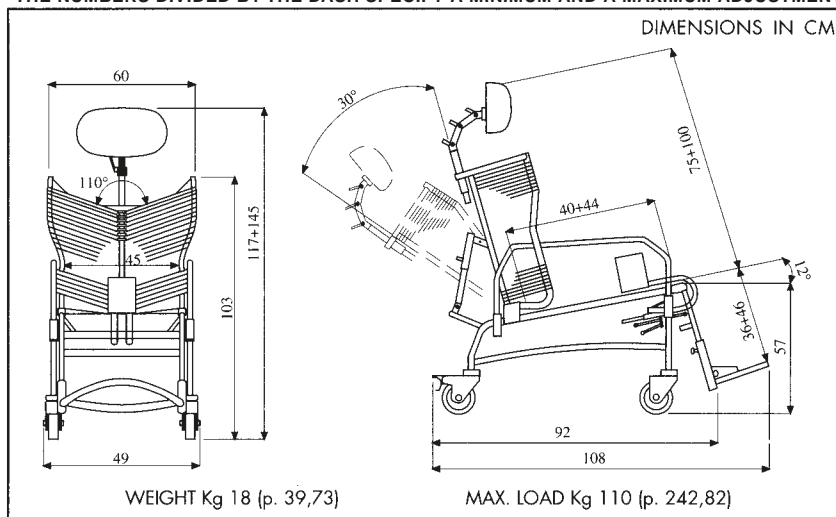
## SEAT

with a 15° tilt, in order to prevent the user from falling forward.

**LEGREST, ADJUSTABLE** in tilt.

The copyright even if partial is not allowed, without the authorization of the manufacturer.

THE NUMBERS DIVIDED BY THE DASH SPECIFY A MINIMUM AND A MAXIMUM ADJUSTMENT



**A.D.M. - A.REHA**

ASSOCIATION OF MANUFACTURERS OF AIDS FOR MOTORIAL DISABILITIES



Via A. Da Sangallo 1 Z.A.I. PACIANA 06034 FOLIGNO - PG - ITALY

TEL. +39 0742 22927 (r.a.) FAX +39 0742 22637 E-mail: info@ormesa.com http://www.ormesa.com

**COMPANY WITH QUALITY MANAGEMENT SYSTEM CERTIFIED BY DNV =ISO 9001:2000=**