

DISTRIBUTOR/AGENT:	DATE OF ORDER:
	DATE OF DELIVERY:
	NAME OF THE ADDRESSEE/USER:



CE marked

FUNCTIONS

- **Alluminium frame** with a non-toxic epoxy varnish finish
- Washable **PVC-string covering**. It allows an excellent perspiration and it's highly wear-resistant. The sufficiently elastic covering adapts to the shape of the shoulders and of the bottom
- **Padded winding headrest** separated from the backrest and adjustable in tilt, height and in the front and in the back position.
- **Retenitive backrest**, it can be fixed in 2 positions in order to have the seat adjustable in depth (2 different ones). Tilt adjustable thanks to the back rack locking.
- **Seat** with a 15° tilt, in order to prevent the user from sliding forward.
- Detachable and turning sideways **sides**, in order to facilitate the user's transfers
- **Legrest** adjustable in tilt
- One only overturnable **footrest**, in order to help the approach of the operator, the sitting and the getting down of the user.
- Unpiercerable **wheels** 12 cm, back wheels with brake.

Please check off the interested products: _____

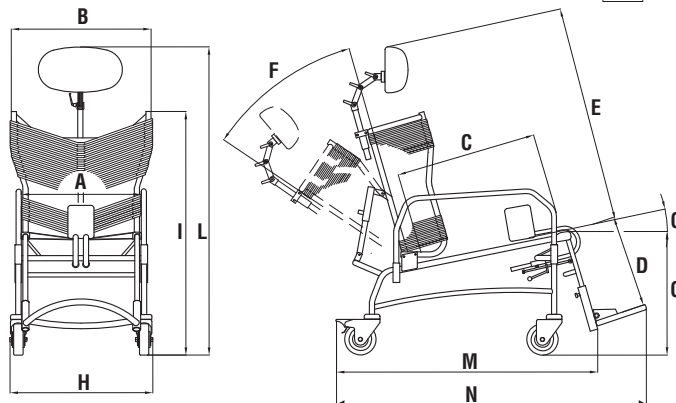
MEASURES

203-5 SHOWER CHAIR

Frame colour: **White**
PVC-string colour: **Crystal**

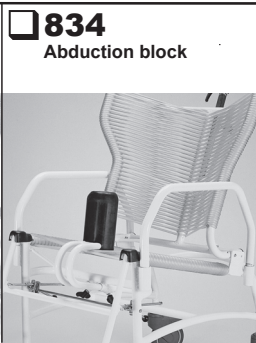
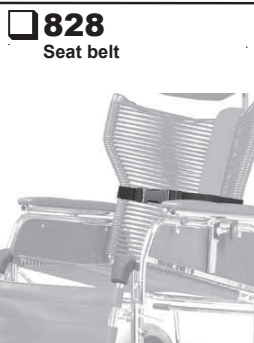


Attention!
Read carefully the user and maintenance manual



Max load cap	weight	A	B	C	D	E	F	G	H	I	L	M	N	O
kg 110	kg 18	cm 45	cm 60	cm 40-44	cm 36-46	cm 75-100	30°	12°	cm 49	cm 103	cm 117-145	cm 92	cm 108	cm 57

ACCESSORIES



Notes:

.....

.....

.....

.....

.....

.....

.....

.....

.....

.....

.....

